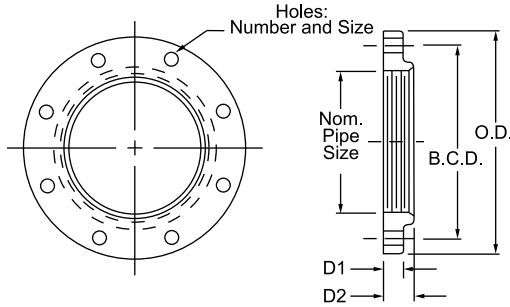
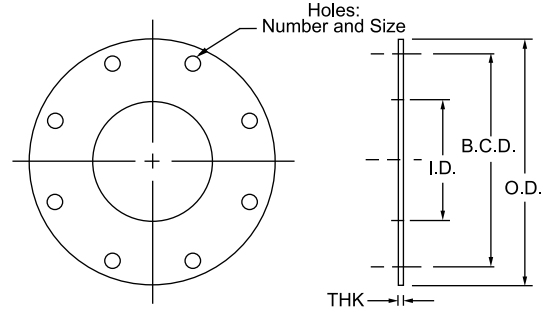


Threaded Flanges Model HC1 Reducing Flanges Model HC2

Cast Iron Threaded Flanges



Steel Welding Single Reducing Plate Flanges



Cast Iron Threaded Flanges

Size	Model	O.D.	D-1 Thickness	D-2 Thickness	No. of Holes	Size of Holes	B.C.D.	Weight
2	HC1-02-0001	6	5/8	1	4	3/4	4 3/4	4
2 1/2	HC1-25-0001	7	11/16	1 1/8	4	3/4	5 1/2	6
3	HC1-03-0001	7 1/2	3/4	1 3/16	4	3/4	6	7
3 1/2	HC1-35-0001	8 1/2	13/16	1 1/4	8	3/4	7	10
4	HC1-04-0001	9	15/16	1 15/16	8	3/4	7 1/2	11
5	HC1-05-0001	10	15/16	1 7/16	8	7/8	8 1/2	14
6	HC1-06-0001	11	1	1 9/16	8	7/8	9 1/2	17
8	HC1-08-0001	13 1/2	1 1/8	1 3/4	8	7/8	11 3/4	28
10	HC1-10-0001	16	1 3/16	1 15/16	12	1	14 1/4	39

Steel Welding Single Reducing Plate Flanges

Size	Model	I.D.	O.D.	No. of Holes	Size of Holes	B.C.D.	Thickness	Weight
5 X 4	HC2-05-0001	4 9/16	10	8	7/8	8 1/2	1/2	7
6 X 5	HC2-06-0001	5 5/8	11	8	7/8	9 1/2	1/2	9
8 X 6	HC2-08-0001	6 11/16	13 1/2	8	7/8	11 3/4	1/2	14.5
10 X 8	HC2-10-0001	8 3/4	16	12	1	14 1/4	1/2	17
12 X 10	HC2-12-0001	10 7/8	19	12	1	17	1/2	26
14 X 12	HC2-14-0001	12 7/8	21	12	1 1/8	18 3/4	1/2	29
16 X 14	HC2-16-0001	14 3/16	23 1/2	16	1 1/8	21 1/4	1/2	37
18 X 16	HC2-18-0001	16 3/16	25	16	1 1/4	22 3/4	1/2	38
20 X 18	HC2-20-0001	18 3/16	27 1/2	20	1 1/4	25	1/2	44
22 X 20	HC2-22-0001	20 3/16	29 1/2	20	1 3/8	27 1/4	1/2	47
24 X 22	HC2-24-0001	22 3/16	32	20	1 3/8	29 1/2	1/2	55

* Flange kits available. Kits include: (1) flange, (1) gasket, (1) set of bolts and nuts.