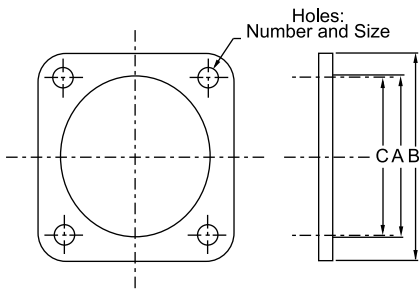
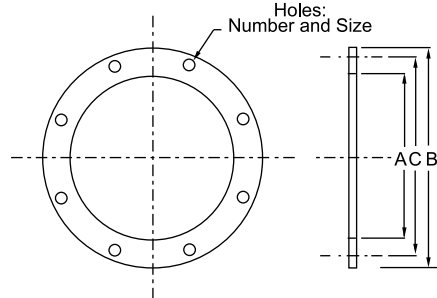


**Caterpillar Flange Model HB1**  
**Cummins/Onan Flange Model HB2**  
**Detroit Diesel Flange Model HB3**

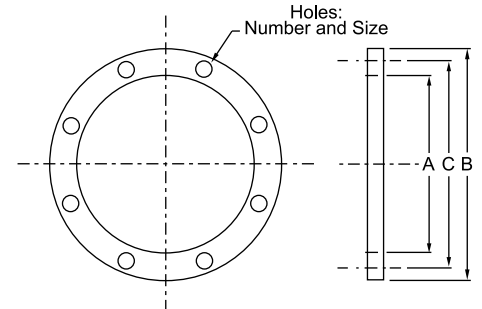
### Caterpillar Style 1



### Caterpillar Style 2



### Cummins/Onan/Detroit Diesel



### Caterpillar Flange

Size	Model	Style No.	I.D. (A)	O.D. (B)	B.C.D. (C)	Size of Holes	No. of Holes	Thickness	Weight
2 1/2	HB1-25-0001	---	Perkins/Caterpillar 3054/3056				3	1/2	0.5
3	HB1-03-0001	---	Perkins/Caterpillar 3056T				3	1/2	0.5
3	HB1-03-0002	2	3	5.91	4.92	0.54	4	1/2	1.5
4	HB1-04-0001	1	4.1	5.5	4.13	0.56	4	1/2	2
5	HB1-05-0001	1	5.1	6.5	5	0.75	4	1/2	3
6	HB1-06-0001	1	6.1	7.75	6	0.81	4	1/2	4
8	HB1-08-0001	2	8.1	11	9.88	0.56	8	1/2	6
10	HB1-10-0001	2	10.1	13.5	12.44	0.5	12	1/2	8.75
12	HB1-12-0001	2	12.1	16	14.8	0.56	12	1/2	11.75
14	HB1-14-0001	2	14.1	18	17	0.56	12	1/2	14
16	HB1-16-0001	2	16.1	23.5	21.25	0.84	16	1/2	31.5
18	HB1-18-0001	2	18.1	21.85	20.87	0.54	16	1/2	26

### Cummins/Onan Flange

Size	Model	I.D. (A)	O.D. (B)	B.C.D. (C)	Size of Holes	No. of Holes	Thickness	Weight
5	HB2-05-0001	5.1	8	7.19	0.56	8	1/2	4
6	HB2-06-0001	6.1	8	7.19	0.56	8	1/2	2.75

### Detroit Diesel Flange

Size	Model	I.D. (A)	O.D. (B)	B.C.D. (C)	Size of Holes	No. of Holes	Thickness	Weight
8	HB3-08-0001	8.13	11	9.88	0.625	8	1/2	6
10	HB3-10-0001	10.13	13	11.88	0.56	8	1/2	8

\* Flange kits available. Kits include: (1) flange, (1) gasket, (1) set of bolts and nuts.

Customize your exhaust system to meet your application needs!

We will work with you to design the silencer and exhaust components that will save product cost and installation time.

BMEH-101 (10/08)

BelMar Industries

Ph: 952-486-8588

Fax: 952-486-8289

www.belmar-ind.com