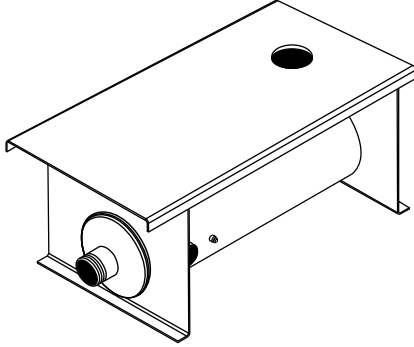


Blower Silencing System

Blower Base Units Models BI2 & BR2



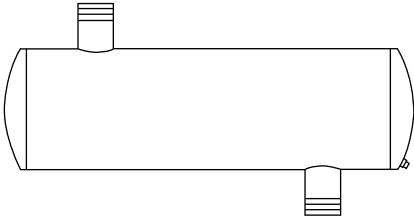
Unpacked

Size	Model	Weight
2	BI2-02-0001	120
2 1/2	BI2-25-0001	165
3	BI2-03-0001	260
4	BI2-04-0001	350
5	BI2-05-0001	510
6	BI2-06-0001	630

Packed

Size	Model	Weight
2	BR2-02-0001	128
2 1/2	BR2-25-0001	180
3	BR2-03-0001	272
4	BR2-04-0001	375
5	BR2-05-0001	555
6	BR2-06-0001	685

Intake Silencers Models JI3 & JR3



Unpacked

Size	Model	Weight
2	JI3-02-0001	20
2 1/2	JI3-25-0001	30
3	JI3-03-0001	43
4	JI3-04-0001	75
5	JI3-05-0001	130
6	JI3-06-0001	165

Packed

Size	Model	Weight
2	JR3-02-0001	28
2 1/2	JR3-25-0001	45
3	JR3-03-0001	55
4	JR3-04-0001	100
5	JR3-05-0001	175
6	JR3-06-0001	220

Belt Guards Model BG1

Size	Model	Weight
2	BG1-02-0001	41
2 1/2	Use Size 2	41
3	BG1-03-0001	50
4	Use Size 3	50
5	BG1-05-0001	62
6	Use Size 5	62

Air Cleaners Model FA2

Size	Model	Airflow (cfm) @ 4"	Weight
2	FA2-02-0001	95	1
2 1/2	FA2-25-0001	135	3
3	FA2-03-0001	170	3
4	FA2-04-0001	400	4
5	FA2-05-0001	485	6
6	FA2-06-0001	830	8

Customize your exhaust system to meet your application needs!

We will work with you to design the silencer and exhaust components that will save product cost and installation time.