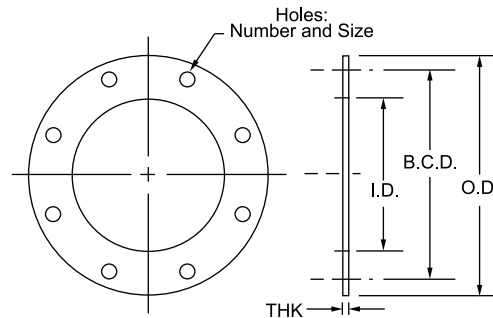


Pipe Flanges Model HA1 Tubing Flanges Model HA2



Pipe Plate Flanges: 125/150# ANSI Steel Welding

Size	Model	I.D.	O.D.	No. of Holes	Size of Holes	B.C.D.	Thickness	Weight
2	HA1-02-0001	2 7/16	6	4	3/4	4 3/4	1/2	2
2 1/2	HA1-25-0001	3	7	4	3/4	5 1/2	1/2	2
3	HA1-03-0001	3 9/16	7 1/2	4	3/4	6	1/2	3
3 1/2	HA1-35-0001	4 1/16	8 1/2	8	3/4	7	1/2	4
4	HA1-04-0001	4 9/16	9	8	3/4	7 1/2	1/2	6
5	HA1-05-0001	5 5/8	10	8	7/8	8 1/2	1/2	7
6	HA1-06-0001	6 11/16	11	8	7/8	9 1/2	1/2	9
8	HA1-08-0001	8 3/4	13 1/2	8	7/8	11 3/4	1/2	12
10	HA1-10-0001	10 7/8	16	12	1	14 1/4	1/2	15
12	HA1-12-0001	12 7/8	19	12	1	17	1/2	22
14	HA1-14-0001	14 3/16	21	12	1 1/8	18 3/4	1/2	25
16	HA1-16-0001	16 3/16	23 1/2	16	1 1/8	21 1/4	1/2	28
18	HA1-18-0001	18 3/16	25	16	1 1/4	22 3/4	1/2	32
20	HA1-20-0001	20 3/16	27 1/2	20	1 1/4	25	1/2	35
22	HA1-22-0001	22 3/16	29 1/2	20	1 3/8	27 1/4	1/2	38
24	HA1-24-0001	24 3/16	32	20	1 3/8	29 1/2	1/2	45

Tube Plate Flanges: 125/150# ANSI Steel Welding

Size	Model	I.D.	O.D.	No. of Holes	Size of Holes	B.C.D.	Thickness	Weight
2	HA2-02-0001	2 1/16	6	4	3/4	4 3/4	1/2	2
2 1/2	HA2-25-0001	2 9/16	7	4	3/4	5 1/2	1/2	2
3	HA2-03-0001	3 1/16	7 1/2	4	3/4	6	1/2	3
3 1/2	HA2-35-0001	3 9/16	8 1/2	8	3/4	7	1/2	4
4	HA2-04-0001	4 1/16	9	8	3/4	7 1/2	1/2	6
5	HA2-05-0001	5 1/16	10	8	7/8	8 1/2	1/2	7
6	HA2-06-0001	6 1/16	11	8	7/8	9 1/2	1/2	9
8	HA2-08-0001	8 1/16	13 1/2	8	7/8	11 3/4	1/2	12
10	HA2-10-0001	10 1/16	16	12	1	14 1/4	1/2	15
12	HA2-12-0001	12 1/16	19	12	1	17	1/2	22

* Flange kits available. Kits include: (1) flange, (1) gasket, (1) set of bolts and nuts